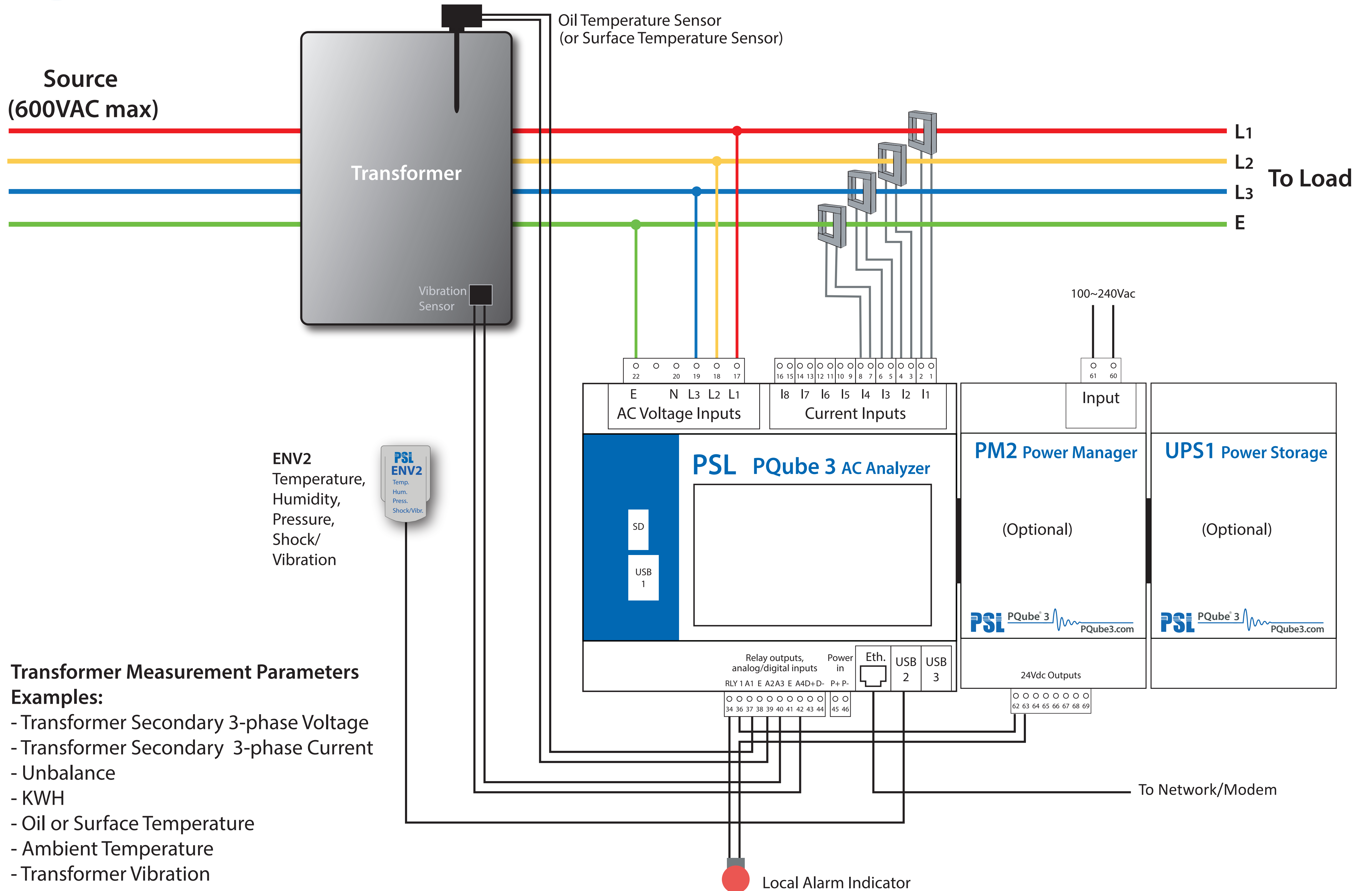




PQube 3 Transformer Monitoring



Transformer Measurement Parameters

Examples:

- Transformer Secondary 3-phase Voltage
- Transformer Secondary 3-phase Current
- Unbalance
- KWH
- Oil or Surface Temperature
- Ambient Temperature
- Transformer Vibration

ENV2
Temperature,
Humidity,
Pressure,
Shock/
Vibration

